

Trouble shooting

Problem	Possible causes	Solution
The steam generator does not come on.	<ul style="list-style-type: none"> There is a connection problem. The steam tank and/or main power button is not switched on. 	<ul style="list-style-type: none"> Check the mains cable, the plug and the socket. Press the main power button (6) on.
The iron does not heat up.	<ul style="list-style-type: none"> The main power button is not switched on. The temperature control knob is set to the "min" position. 	<ul style="list-style-type: none"> Press the main power button (6) on. Set the temperature control knob (10) to the desired position.
The iron begins to smoke when switched on.	<ul style="list-style-type: none"> During first use: Certain components on the appliance have been lightly greased at the factory and may produce a little smoke when initially heated. During later use: the soleplate may be soiled. 	<ul style="list-style-type: none"> This is completely normal and will stop after a short while. Clean the soleplate (13) according to the cleaning instructions in this manual.
Water flows through the holes on the soleplate.	<ul style="list-style-type: none"> The steam function is being used before it has reached temperature. The water is condensing inside the pipes because steam is being used for the first time or has not been used for a long time. 	<ul style="list-style-type: none"> Reduce the steam flow when ironing at low temperatures (With the steam control 4). Point the iron away from the ironing area and press the steam release button (11) until steam is produced.
Dirt comes out through the soleplate.	<ul style="list-style-type: none"> There is a build-up of scale or minerals in the steam tank. Chemical products or additives have been used. 	<ul style="list-style-type: none"> Use tap water mixed 50% with distilled or demineralised water. Clean the soleplate with a damp cloth. Never add products to the boiler water.
The iron does not produce any steam.	<ul style="list-style-type: none"> The boiler is not switched on or the water tank is empty. The water tank is not fitted onto the steam tank correctly. The steam regulator is set to the minimum position. 	<ul style="list-style-type: none"> Set the switch (6) to the on („I") position and/or fill the water tank. Fit the water tank back onto the steam tank correctly. Increase the steam flow by turning the steam control (4) to a higher setting.
The ironed garment turns dark and/or sticks to the soleplate.	<ul style="list-style-type: none"> The selected temperature is too high and has damaged the garment. 	<ul style="list-style-type: none"> Select a suitable temperature for the material being ironed and clean the soleplate with a damp cloth.
The soleplate turns brown.	<ul style="list-style-type: none"> This is a regular consequence of usage. 	<ul style="list-style-type: none"> Clean the soleplate regularly with a damp cloth.
The appliance makes a pumping sound.	<ul style="list-style-type: none"> Water is being pumped into the steam tank. The sound will not stop. 	<ul style="list-style-type: none"> This is normal. If the sound will not stop, do not use the steam generator and contact an authorised technical service centre.
Loss of pressure during ironing.	<ul style="list-style-type: none"> Steam release button activated during a long period of time. 	<ul style="list-style-type: none"> Use the steam release button (11) with intervals. This improves the ironing result as the textiles will be dried and stay smooth better.
Water leakage from the boiler	<ul style="list-style-type: none"> Drainage plug located at the bottom of the appliance is loose. 	<ul style="list-style-type: none"> Tighten up boiler drainage plug with a coin

You can download this manual from the local homepages of Bosch

Thank you for buying the B25L professional steam station, the new steam-ironing system from Bosch. Please read these instructions for use. They contain valuable information about the unique features of this system and some hints to make ironing easier for you.

Please visit www.bosch-home.co.uk for more product information or to register your product, just follow the link to the Online guarantee registration.

Introduction

This powerful system produces non-stop steam for an ideal ironing performance. It has a large detachable water tank that can be refilled at any time without switching off the system.

We hope that you enjoy ironing with this steam station.

Important

Read these instructions for use carefully before using the appliance and save them for future reference.

This appliance complies with international safety standards.

This appliance has been designed exclusively for domestic use and must not be used for industrial purposes.

Warning:

!The housing with the internal steam generator can get very hot !

General safety instructions

- Before plugging the appliance into the mains, check that the voltage corresponds to that stated on the characteristics plate.
- This appliance must be connected to an earthed socket. If using an extension cable, make sure that it has a 16 A bipolar socket with an earth connection.
- This appliance must only be used for the purposes for which it was designed, i.e. as an iron. Any other use will be considered improper and consequently dangerous. The manufacturer will not be held responsible for any damage arising from misuse or improper use.
- The electrical plug must not be removed from the socket by tugging on the cable.

- Do not leave the appliance exposed to weather conditions (rain, sun, frost, etc.).
- Do not leave the iron unattended while it is plugged in.
- With the aim of avoiding dangerous situations, any work or repair that the appliance may need, e.g. replacing a faulty mains cable, must only be carried out by qualified personnel from an Authorised Technical Service Centre.
- Never immerse the iron or steam tank in water or any other liquid.
- The appliance must never be placed under the tap to fill it with water.
- This appliance is not intended to be used by persons (including children) with reduced physical, sensory or mental capacities, or lack of experience and knowledge, unless they have been given supervision or instruction.
- Children should be supervised to ensure that they do not play with the appliance.
- This appliance reaches high temperatures and produces steam during use, this could cause scalds or burns in case of improper use.
- If the safety fuse fitted in the appliance blows the appliance will be rendered inoperative. To restore normal operation the appliance will have to be taken to an authorised Technical Service Centre.
- Never aim the steam at people or animals.
- The appliance must be used and placed on a stable surface. When placed on its support, make sure that the surface on which the support stands is stable.
- Do not use the iron if it has been dropped, shows visible signs of damage or if it is leaking water. It will have to be checked by an authorised Technical Service Centre before it can be used again.
- Do not allow the cord to come into contact with the soleplate when it is hot.
- The iron is not designed to rest on its heel. Please always position it horizontally on the iron pad (2). The iron pad can be placed into the specially designed recess on the appliance or somewhere suitable alongside the ironing area. **Never rest the iron on the appliance without the iron pad!.**
- Be aware that the system can keep on steaming a short additional time after releasing the steam trigger. This is a normal function.
- Unplug the appliance from the mains supply after each use, or if a fault is suspected.

BOSCH

Customer Service

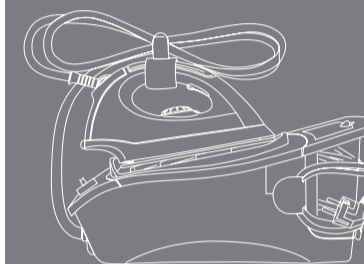
Great Britain

Bosch Customer Service
Grand Union House
Old Wolverton Road
Milton Keynes
MK12 5PT
UK +44 (0)844 892 8923
IRL +353 (0)1450 2655
www.bosch-home.co.uk

008TDS25...GB /02/11



TDS25.. GB

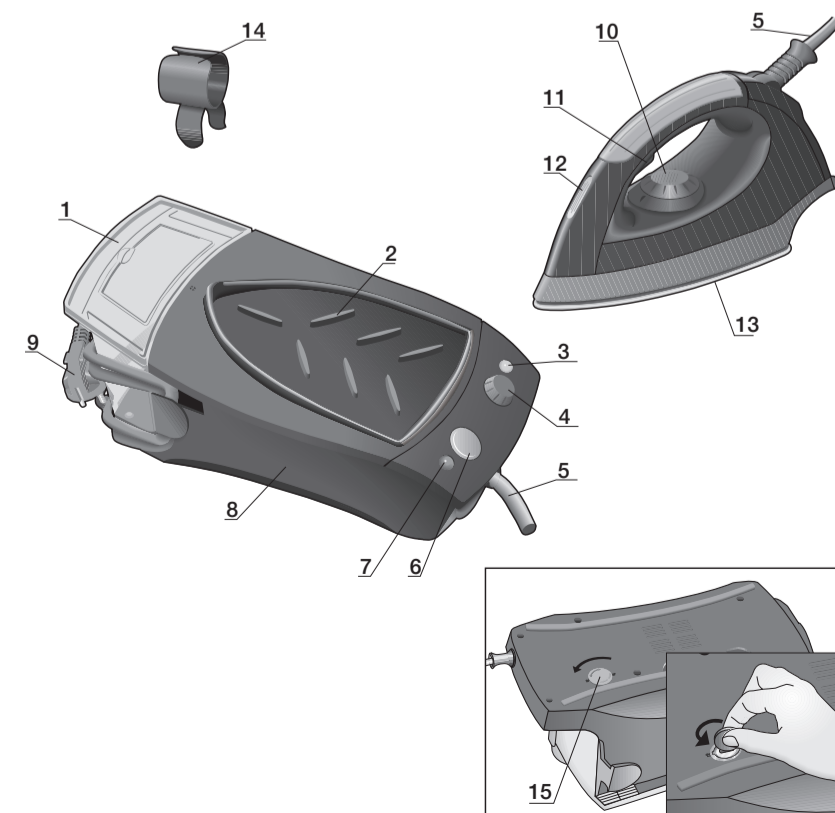


Operating instructions



Description

- Removable water tank
- Removable iron pad
- "Water empty" pilot light
- Variable steam control
- Steam hose
- Illuminated main power "0/I" button
- "Steam ready" pilot light
- Housing with internal steam generator
- Mains plug
- Temperature dial
- Steam release button
- Iron pilot light
- Soleplate
- Cord clip
- Boiler drainage plug.



Getting Started

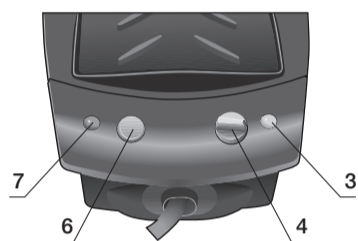
1. Remove any label or protective covering from the soleplate (13).
2. Place the appliance horizontally on a solid, stable surface. You may remove the iron pad from the appliance and place the iron on it on another solid, stable, horizontal surface.
3. Remove the detachable water tank (1) and fill it, making sure not to overfill it.



4. Fit the water tank back onto the steam tank.
5. Unwind the mains cable fully and plug it into an earthed socket.
6. Set the main power button to the on ("I") position.
7. The green "steam ready" indicator lamp (7) will light up after several minutes, indicating that the appliance is ready to use.

The steam generator will take more time to reach "Steam ready" state only upon the initial heating up, or after performing the de-scaling operation (Calc'n clean).

When water is already present in the steam generator during regular use, heat up time to reach the operating temperature will be faster.



8. This appliance has a built-in water level sensor. The red "water empty" indicator (3) will light when the water tank is empty.
- Note: The water tank (1) can be filled at any time while using the appliance.
9. If ironing with steam, adjust the steam control (4), (see: ironing with steam)

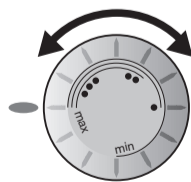
Important:

- Normal tap water can be used.
To prolong the optimum steam function, mix tap water with distilled water 1:1. If the tap water in your area is very hard, mix tap water with distilled water 1:2.
You can inquire about the water hardness with your local water supplier.
- To avoid damage and/or contamination of the water tank and boiler, do not put perfume, vinegar, starch, descaling agents, additives or any other type of chemical product into the water tank. **Any damage caused by the use of the aforementioned products, will make the guarantee void.**
- Do not use condensed water from tumble dryers or fridges.
- During its first use the iron may produce certain vapours and odours, along with white particles on the soleplate, this is normal and it will stop after a few minutes

Setting the temperature

1. Check the ironing instruction label on the garment to determine the correct ironing temperature.
2. Select the temperature by rotating the temperature dial (10).

- "•" Synthetics
- "••" Silk – Wool
- "•••" Cotton – Linen



3. The indicator lamp (12) will remain lit while the iron is heating and go out as soon as the iron has reached the selected temperature.

Tips:

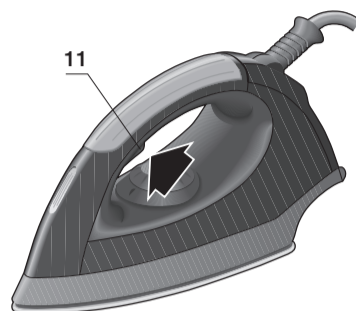
- Sort your garments out based on their cleaning symbol labels, always starting with clothes that have to be ironed at the lowest temperatures.
- If you are not sure what the garment is made of then begin ironing at a low temperature and decide on the correct temperature by ironing a small section not usually seen when worn.

Ironing with steam

1. Make sure that there is enough water in the water tank (1).
2. Turn the temperature dial (10) to the steam position, between "••" and "max".
3. Set the amount of steam to suit your needs, using the variable steam control (4)



4. Press the steam release button (11) to release steam.



Important:

- The steam hose may get hot if you are ironing for long periods.
- While the steam release button is pressed, the water tank may produce a pumping sound, this is normal, indicating that water is being pumped to the steam tank.

Ironing without steam

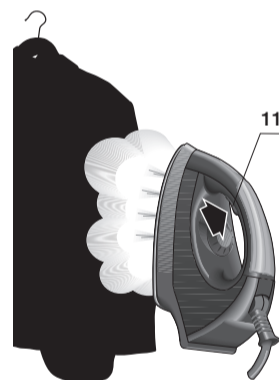
1. Begin ironing but without pressing the steam release button (11).

Vertical steam

1. Set the temperature dial (10) to the "•••" or "max" position.
2. You can steam iron curtains and hanging garments (jackets, suits, coats...) by placing the iron in a vertical position and pressing the steam release button (11).

Never direct the steam jet at garments that are being worn.

Never aim the steam at people or animals.



Cleaning & Maintenance

1. After ironing, pull out the plug and allow the appliance to cool down before cleaning.
2. Wipe the housing, handle and iron body with a damp cloth.
3. If the soleplate is soiled with dirt or scale, clean it with a damp cloth.
4. Never use abrasive products or solvents.

Calc'n clean

Cleaning the Boiler

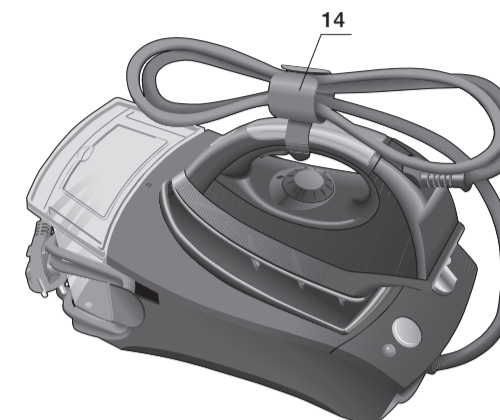
To extend the life of your steam generator and to avoid any build up of scale, it is essential that you rinse out the boiler after several hours of use. If your water is hard, increase the frequency.

Do not use descaling agents for rinsing out the boiler, as they could damage it.

1. Check that the appliance is cold and unplugged for more than 2 hours, and that the removable water tank (1) has been removed from the steam generator.
2. Place your appliance on the edge of your kitchen sink.
3. Unscrew the boiler drainage plug (15) located on the bottom of the appliance using a coin.
4. Holding your steam generator in an upside down position, and using a jug, fill the boiler (in the base unit) with 1/4 litre of water
5. Shake the base unit for a few moments and then empty it completely over a sink or bucket. To obtain the best result, we recommend that this operation is done twice
6. Important: before reclosing, make sure no water remains in the boiler.
7. Replace and tighten up the boiler drainage plug with a coin

Storing the appliance

1. Always allow the appliance to cool down before storing it.
2. Set the switch for main power (6) to the off ("O") position and disconnect the connection.
3. Place the iron on the iron pad (2), standing on the soleplate (13).
4. Empty the water tank (1) and store the mains cable on the cord rewind facility. Tidy the steam hose (5) on the handle of the iron using the cord clip provided (14). Do not wrap the cords too tight



Additional features

(model dependent)

Intelligent steam

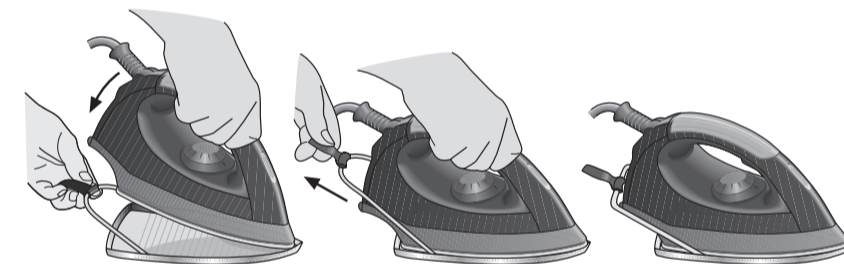
This system has intelligent steam control, which, after releasing the steam release button (11), provides a small amount of additional steam.

The additional steam can always be stopped by briefly pressing the steam release button once again.

Fabric-protection soleplate cover

The fabric-protection soleplate cover is used for steam-ironing delicate garments at maximum temperature without damaging them. Use of the protector also does away with the need for a cloth to prevent shine on dark materials.

It is advisable to first iron a small section on the inside of the garment to see if it is suitable.



To attach the soleplate cover to the iron, place the tip of the iron into the end of the fabric protector and pull the elastic strap over the lower rear of the iron until it fits tightly. To release the soleplate cover, pull the elastic strap and remove the iron.

The fabric-protection soleplate cover is suitable for all models of this range. It may be purchased from the after-sales service (material number 464846), or the Bosch eShop.

Accessory code (After-sales)	Name of accessory (Bosch eShop)
464846	TDZ2510

Warranty conditions

The terms of the guarantee for this appliance are in accordance with that stated by our representative for the country in which it is sold. The details of these conditions can be obtained from the retailer from whom the appliance was purchased. The purchase receipt must be presented when making any claims against the terms of this guarantee.

Advice on disposal

Our goods come in optimised packaging. This basically consists in using non-contaminating materials which should be handed over to the local waste disposal service as secondary raw materials. Your local town council can give you information about how to dispose of obsolete appliances.



This appliance is labelled in accordance with European Directive 2002/96/EG concerning used electrical and electronic appliances (waste electrical and electronic equipment - WEEE).